

Next Touch Coffee

A product by  
Rancilio Group

# NEXT TOUCH COFFEE

## FILL UP YOUR CUP



ENGLISH





# FILL UP YOUR CUP

---

Egro Next Touch Coffee delivers top-quality fresh coffee, from the bean to the cup, and guarantees consistency and reliability over the long term. It features maximum variety thanks to a unique "4 bean hoppers" system, customisable modular options and business-focused IoT innovations. Recommended for businesses with an average daily requirement of 200 coffee cups, Egro Next Touch Coffee meets the various needs of convenience stores, petrol stations, fast-food and self-service restaurants, and all venues serving drip coffee.

RECOMMENDED  
DAILY OUTPUT:

**x200**

CUPS PER DAY

# HIGHLIGHTS



## 1 COFFEE

---

### 4 Bean hoppers

4 different base coffees always ready to brew.

### Always fresh, cup after cup

Fresh drip coffee ground straight from the bean and brewed on demand, in all cup sizes or in carafes of up to 1 litre per cycle.

## 2 BUSINESS

---

### Power to your business

No more wasted coffee, no more stale coffee in big carafes. Improve your business: Next Touch Coffee is faster than a traditional drip coffee maker and brews only what you're selling, with no recovery time.

## 3 INTERFACE

---

### 10.1" HD touchscreen

Swipe, tap and scroll with ease through the menu. It's as easy as using your smartphone, with all preferences and drink selections at your fingertips.

## 4 CLEANING

---

### Easy to clean

Fast, simple, guided daily cleaning and rinsing cycles.

# SWISS COFFEE TECHNOLOGY

Fresh coffee, with all the aromas and taste of your favourite blend, perfectly ground and brewed, from bean to cup, in just a few seconds.

## 4 BEAN HOPPERS

The 4 hoppers system offers 4 different base coffees always ready to brew and to create up to 10 different blends.

**4x**  
**1 kg / 2.2 lb**

COFFEE HOPPER CAPACITY



## PERFORMANCE

Brew fresh coffee at speed in different cup sizes in a single cycle, with no recovery time.

**x75**

BEVERAGES PER HOUR  
(0.5 L / 16 OZ)

**0.6 l /**  
**20 oz.**

OF COFFEE READY  
IN LESS THAN 70SEC

**1 l /**  
**33.8 oz.**

COFFEE BOILER CAPACITY

## LEFT SIDE COFFEE OUTLET

On request, Egro Next Touch Coffee can be fitted out with left side coffee outlet for easy use even with 1-litre carafes.

## STAINLESS STEEL BREWING UNIT

The stainless steel brewing unit has a brewing chamber set for 22 grams of coffee.

## **E** SELF-ADJUSTING GRINDER

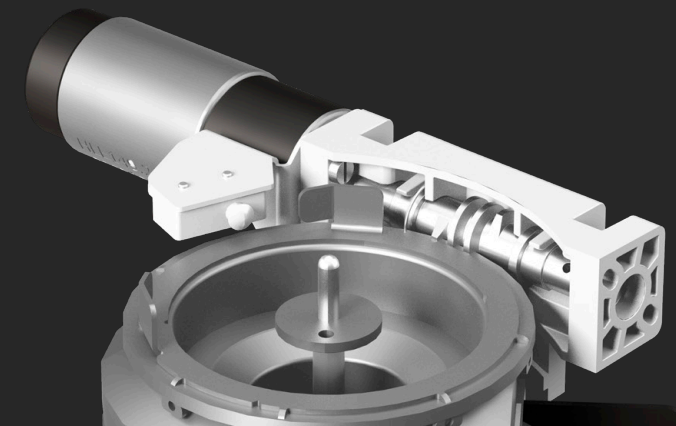
The Self-Adjusting Grinder (SAG) maintains and corrects grind particle size in real time, ensuring coffee consistency in every cup.

## STAINLESS STEEL FLAT BURRS

High-precision grinder is equipped with titanium coated stainless steel burrs to provide consistent particle size for top-quality coffee brewing.

**54 mm**

GRINDER BURRS DIAMETER



# SMART INTERFACE

## TOUCHSCREEN INTERFACE

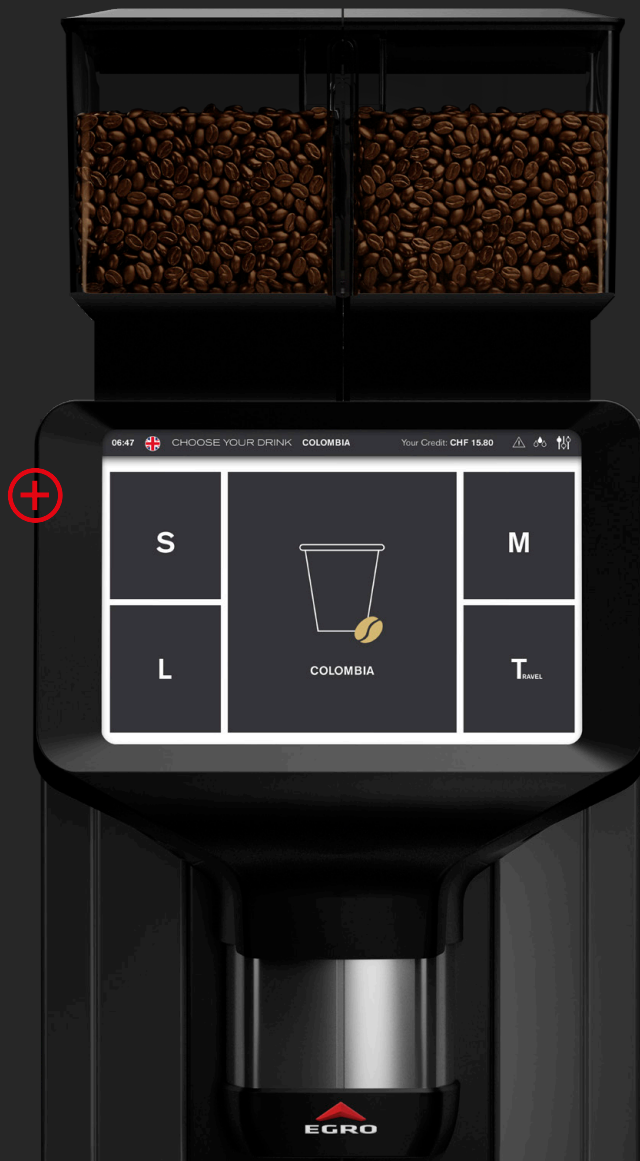
Access, select and adjust settings as easily as you do on your smartphone, thanks to the intuitive 10.1" HD touchscreen interface.

# x10

MENU AVAILABLE  
IN 10 LANGUAGES

## MULTI-DRINK

Rely on the step-by-step instructions provided by the Multi-Drink software to easily create any recipe you wish in just a few taps. Select your favourite blend or single origin, set the pre-infusion time and choose the desired coffee strength.



## THREE ACCESS LEVELS

Egro Next Touch Coffee has three dedicated menus to offer the best user experience to baristas, managers and technicians.

## EASY SWITCH

Customise different menus and quickly switch between them to always have the perfect settings for any situation.

## QUEUE MODE

The selected products are placed in a queue. The list can be updated at all times by changing the order of the drinks, cancelling orders or adding new ones.

## COUNTERS

Counters are available to display the number of brewed drinks, the income generated, and cleaning settings.

## MULTIMEDIA

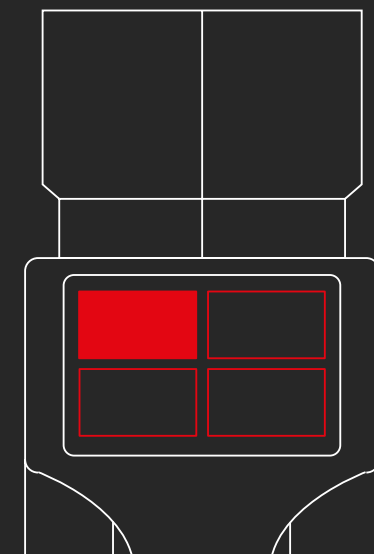
Images or promotional videos can be uploaded and showcased during brewing.

## iBUTTON

iButton gives extra information on the product selected as the nutritional value and the origin of coffees.

## SELF-SERVICE MODE

Customers can prepare one drink at a time on their own, without the support of the staff.



# DESIGN & ERGONOMICS



Egro Next Touch Coffee is a stylish, ergonomic, and highly functional machine, with clean, soft lines and scratch-resistant surfaces. The black aluminium display frame and all the built-in modules match the modern look of the body of the machine.

## SPACE SAVING DESIGN

---

# 30cm / 12in

MAIN UNIT WIDTH

## AUTOMATIC SPOUT

---

The automatic spout adjusts the height of the cup that suits the drink selected. The spout is easy to remove for cleaning.



## STAINLESS STEEL TRAY

---

In the self-service setup, the stainless steel tray is easy to remove and clean and has two different cup-placing positions, to ensure that any type of cup is always placed correctly under the brewing spout.

## LED LIGHTS

---

Maximum visual comfort thanks to LED lights on the work area.

# ADD-ONS

## BENEFITS

---

Boost the potential of your Egro Next Touch with optional features that expand your options and make managing the machine even easier.

## POWDER MODULE

---

Offer customers new options by setting up an external Powder Module: select ingredients to automatically mix, prepare and dispense.

**2x**  
**1 kg/2.2 lb**

POWDER HOPPER CAPACITY

## PAYMENT SYSTEMS

---

Enjoy utmost flexibility with a range of standard and optional payment system solutions.



# CLEANING & MAINTENANCE



## CLEANING

Fast and simple cleaning makes it easy to uphold high health and hygiene standards.



## EASY ACCESS TO ALL COMPONENTS

The convenient opening of the front panel and quick access to the main internal components facilitates easy maintenance operations.

## RINSING CYCLE

A rinsing cycle start automatically at a preset time after the last beverage delivery.

## E DURA BREW

Dura Brew is a hermetically sealed system requiring little maintenance, and thus reducing the total cost of ownership.

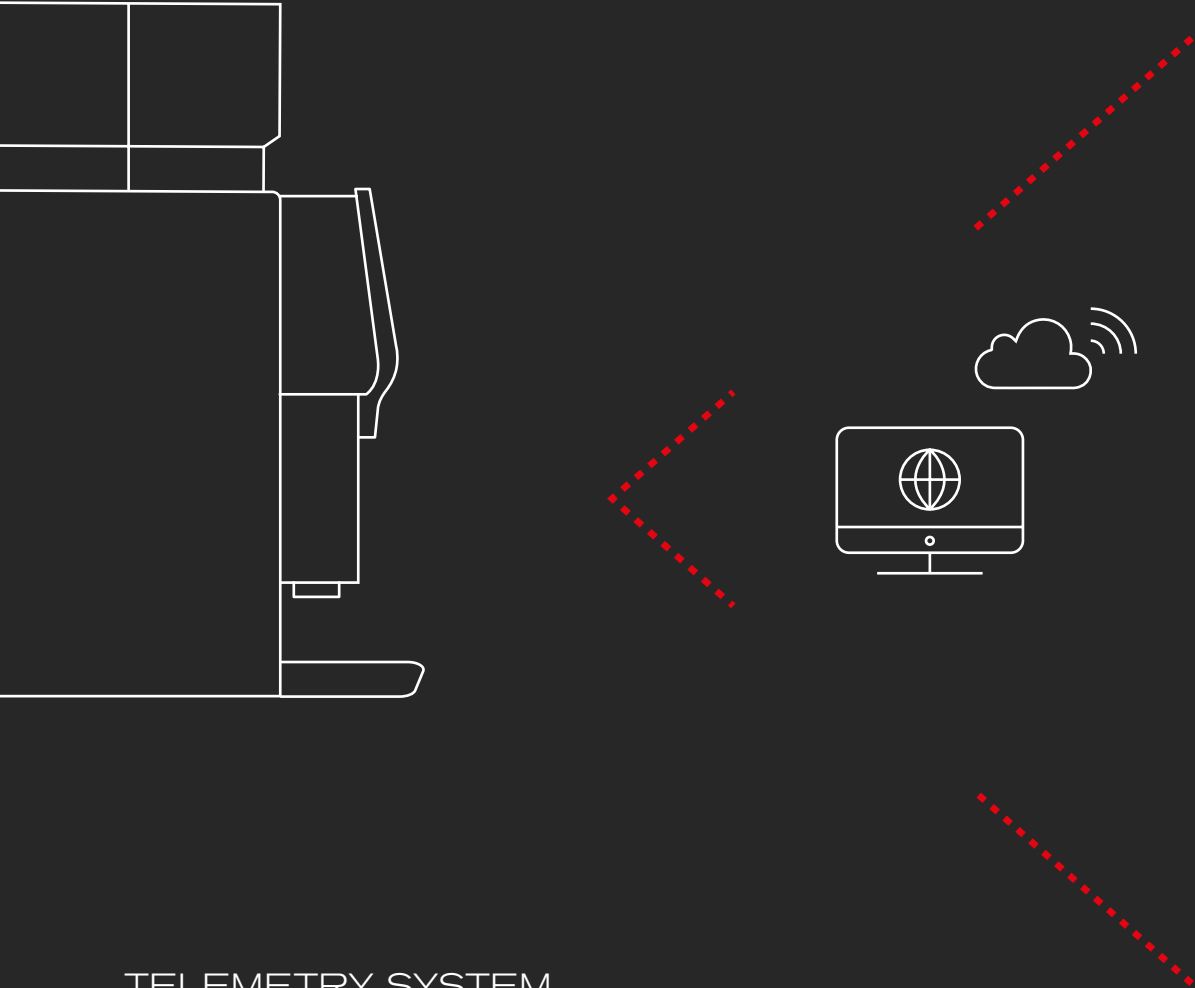
## USB PORT

Next Touch Coffee comes with a USB port to transfer technical data and upload images and videos.

- Egro Patented Technology



# CONNECT



## TELEMETRY SYSTEM

Connect: a remote telemetry system to adjust all the parameters, check statistics and ensure optimal functionality.

## TIME TO CONNECT

Connect is a remote telemetry system to monitor all the operations performed by a single coffee machine or by a whole set of machines. Thanks to Connect, you can adjust the settings for coffee delivery, analyse consumption statistics and read any messages related to technical assistance and maintenance.

### BENEFITS



# 1

JUST-IN TIME CONTROL



# 2

REDUCED SERVICE COSTS



# 3

SALES OPTIMISATION



# 4

PREDICTIVE MAINTENANCE



# 5

CLOUD ENVIRONMENT



# 6

ALERTS



# 7

ALWAYS CONNECTED



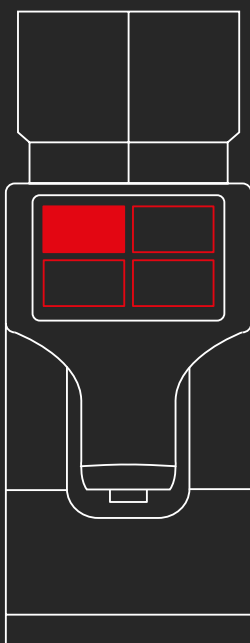
# 8

CONSUMPTION STATISTICS

# NEXT TOUCH COFFEE: TECHNICAL SPECIFICATIONS

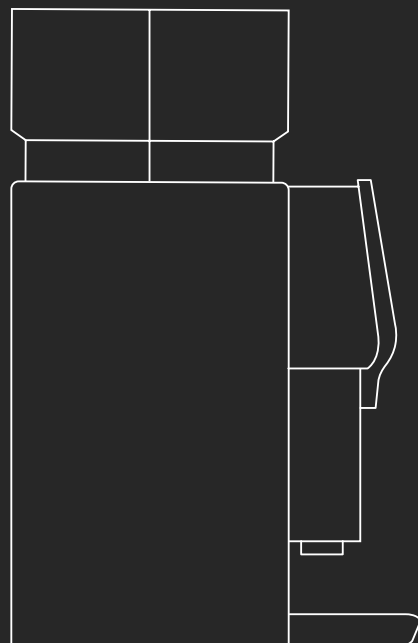
NEXT TOUCH COFFEE

FRONT



300 mm / 11.8 in

SIDE



580 mm / 22.8 in

900 mm / 35.4 in

PERFORMANCE  
RECOMMENDED DAILY OUTPUT  
200 Cups  
NOISE LEVEL DURING USE  
<70 db

OPERATING PANEL	INTERFACE Touchscreen	NUMBER OF BEVERAGE PER PAGE 16
	LANGUAGES AVAILABLE 10	

COFFEE  
BREWING CHAMBER  
22 g  
GRINDER  
Self-Adjusting Grinder (SAG)  
COFFEE BEAN HOPPER CAPACITY  
1 kg / 2.2 lb cad

MAIN UNIT DIMENSIONS	W × D × H 300 × 580 × 900 mm 11.8 × 22.8 × 35.4 in	WEIGHT 60 kg / 132.2 lb
----------------------	--	----------------------------

POWER	TOTAL POWER 3.1 kW	VOLTAGE 1N 220-240V
	FREQUENCY 50-60 Hz	

BOILER  
CAPACITY  
1 l / 33.8 oz. / 0.22 gal UK / 0.26 gal US

OPTIONAL  
+ Automatic spout  
+ Left side coffee outlet

## ADD-ONS

POWDER MODULE	W × D × H 160 × 378 × 770 mm 6.3 × 14.9 × 30.3 in	POWER 0.10 kW
	WEIGHT 13 kg / 28.1 lb	VOLTAGE 1N 220-240V 50/60Hz 120V 60Hz

OTHER  
+ PAYMENT SYSTEMS

 **RANCILIO** GROUP

[rancioliogroup.com](http://rancioliogroup.com)



an Ali Group company



The Spirit of Excellence