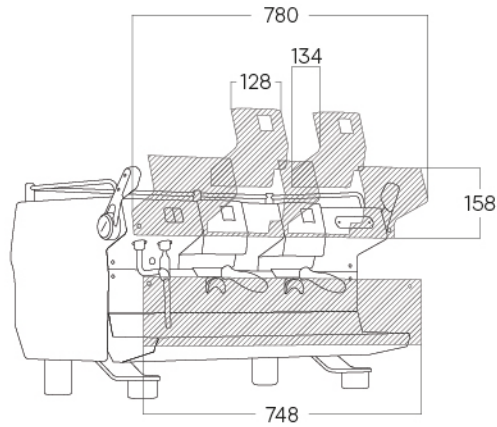


FRONT PANELS



RS1 2GR
2 GROUPHEADS

W x D x H
840 x 600 x 463 cm
33 x 24 x 18 in

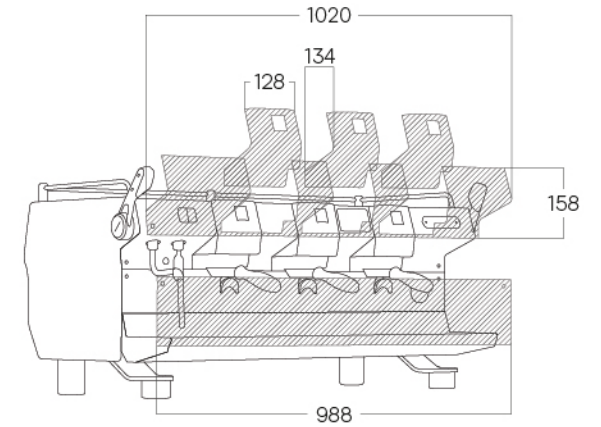
WEIGHT
95 kg / 209.4 lb

RS1 3GR
3 GROUPHEADS

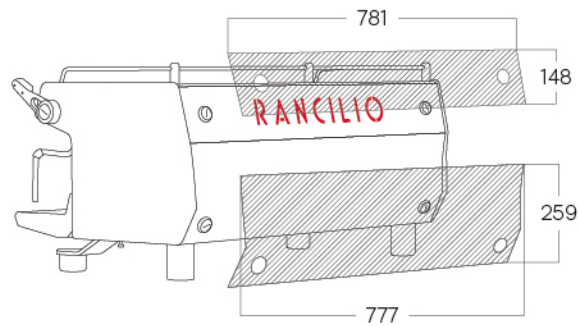
W x D x H
1084 x 600 x 463 cm
43 x 24 x 18 in

WEIGHT
110kg / 242.5 lb

FRONT PANELS



BACK PANELS

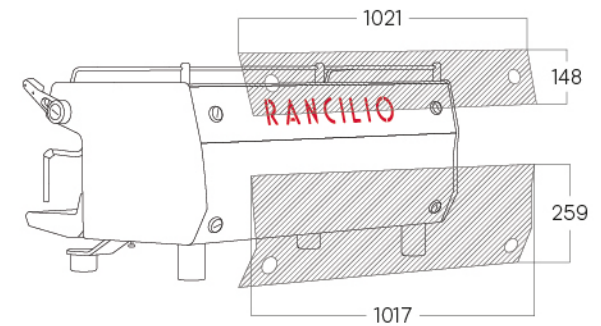


ALL ROUND FLEXIBILITY

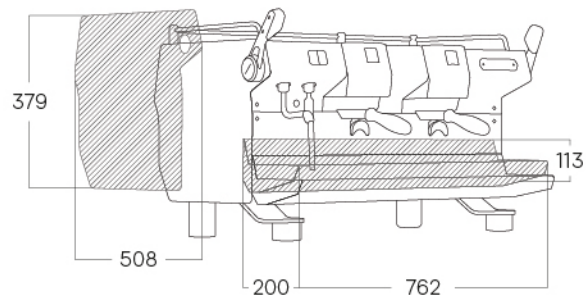
All stainless steel body panels can be easily removed, customized, powder coated or branded to meet customer needs.

Portafilter handles and rubber grips on the steam levers can be customized with wood or other materials.

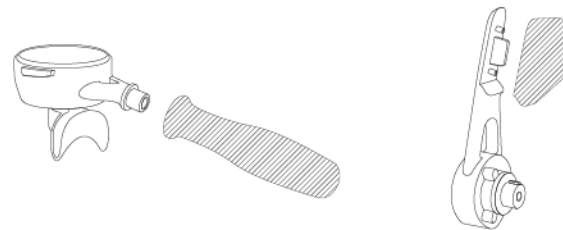
BACK PANELS



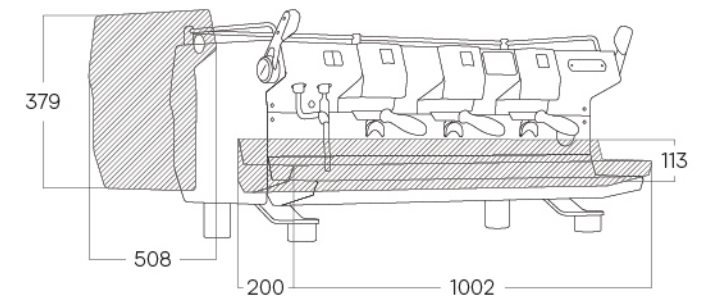
SIDE PANELS AND DRIP TRAY



PORTAFILTER AND STEAM LEVER



SIDE PANELS AND DRIP TRAY



RS1 MATERIALS: STAINLESS STEEL body panels and drip tray - ZAMA grouphead - NBR portafilter handles and steam lever grips.